



The 'Vertical Veg' Planting Panel

- **Our Company:** Your panel is manufactured in the Western Cape by a diverse South African team.
- **Content:** This is a truly South African product having more than 90% local content (by weight). Most of the components are also manufactured locally in the Western Cape, reducing the carbon footprint even further.
- **The Material:** The fabric is a 'Fibertex Geotextile' which is sturdy and tough. Usually used in the construction industry it can withstand rain, snow, and weathering. "The fabric is UV stabilised, resistant to strong acids and alkalis and cannot be attacked by fungi or rot". Mounted on a wall surface, with plants in the pockets and watering, the exposure to intense, harmful UV rays is minimised.
- **The Backing** : The body of the panel is backed with thick plastic to prevent water seeping through onto the wall.
- **The Pockets:** The pockets have been especially designed to give a generous amount of space for healthy root systems – which aid in the growth and general health of all plants.
- **The Eyelets:** The eyelets have been placed strategically to hold the panel firmly - so that with watering, your panel will not sag or distort. They also act as guidelines for mounting.
- **Our Product:** The Panels come with a 1 Year Guarantee*, but we're sure that you will enjoy many more years of happy plant-growing!
*T's & C's apply.

Vertical Veg (Pty) Ltd

Reg.No. 2013/035831/07

Tel: 082 720 5437

info@verticalveg.co.za

www.verticalveg.co.za

How do I put up my 'Vertical Veg' Panel?

- We recommend that you mount your panel onto a wooden frame * before fixing it onto a standard brick wall. (see instructions alongside). This allows for air movement between the panel and the wall, and prevents the build-up of damp.

*Frames can be made up for you. Please contact us for a quote.

- Panels can also be mounted onto any other structure, as long as it is sufficiently strong to take the weight of soil and water. A wooden structure such as a sturdy trellis requires using only hooks, nails, or even cable ties, through the eyelets.
- If you have a 'vibracrete' (concrete) wall, mount the panel on a frame (see instructions alongside). Use 'S' hooks (available from garden or hardware shops or purchased from us) to hook the panel over the wall.

How to Install your 4 Pocket Panel

You will need the following

- *Treated wood batons:*
4 x 38mm x 38mm x 570mm
- 8 x 4mm x 60mm smooth shank YP screws or nails.
- 2 x 95mm rawl bolts **OR**
2 x 8mm x 120mm nail-in anchor screws.
- 9 x 6mm x 30mm **Stainless Steel** coach screws and
- 9 x 6mm x 32mm x 1,5 mm **Stainless Steel** fender washers

Constructing a Frame

- Use your panel as a guide for placement of the batons – see diagram on the following page.
- Use the 4mm x 60mm screws or nails to join the batons – 2 at each joint.

Mounting the Frame

- Fix the frame to the wall with the Rawl bolts or Nail-in anchor screws: (represented by ● on diagram).
- Make sure the bolt / screw heads are deep enough into the wood so they do not interfere with the panel.

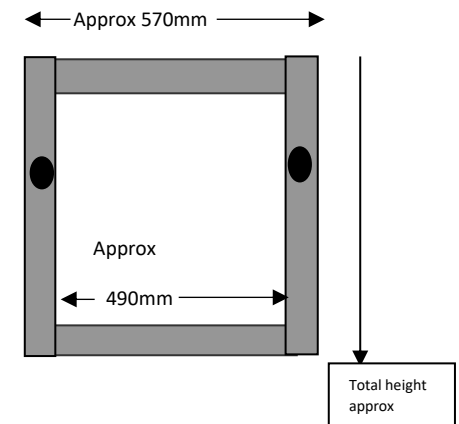
OR

- Hang the frame onto a sufficiently strong hook or two on a wall.

Attaching the Panel

- Attach the panel to the frame through the eyelets using the washers and the coach screws

Construction and Mounting Diagram



Planting Instructions

- Your panel is designed to hold the soil and to enable water to trickle through the fabric of each pocket.
- Plant directly into each pocket as you would for a pot but **DO NOT** put stones or any other drainage chips at the base.



Planting Medium

- The planting medium needs to be lighter than for an ordinary pot since it will be hanging on a wall.
- For gardeners in Cape Town we recommend Master Organics - Keith Kirsten's Patio Mix. Available at nurseries and garden shops
- For Other Gardeners: The potting soil used can be 'lightened' in a number of ways.
 - a. add cocopeat (coconut) fibre:

NOTE: If the plants you have bought to put into the pocket are growing only in coconut fibre, then plant into a potting soil mixture.

For herbs and soft vegetables, use a planting medium made up as follows: 1/3 cocopeat fibre + 2/3 good potting soil well mixed together.

This sort of mixture is now readily available from Nurseries.

OR

- b add vermiculite:

Vermiculite or other water-retention product is used in a similar ratio when using a sandy soil for plants such as succulents.

Planting the pocket

- Fill each pocket about half way with soil mixture.
- Add usual planting medium additives such as bone meal or slow-release foods etc. as you would for general planting in a pot.
- Place plants into the pockets and top up with the soil mixture.
- Make sure it is well filled so that the pockets look 'fat' and rounded.
- Fill to about 2cm from the top (if you do not leave this space the water will run off over the edge).
- Water-in well.

Water requirements

- Remember to water the top of the panel more than the bottom, as gravity pulls water down, so the top will naturally be drier than the bottom.

It is recommended that plants that prefer drier conditions (like Sages and Thymes) be placed at the top, and those that prefer wetter conditions (like Mints and Watercress), at the bottom.

- An irrigation system can be installed.

Irrigation lines can be placed at each row with drippers into each pocket. Differential dripper 'nipples' can be used – i.e. those with a high flow rate on the top row and those with a low/slow flow rate on the lower levels.



- A trough or box of plants with a drip tray, can be placed on the floor below the panel which will then catch the water dripping off the panel.
- A gutter made of wide PVC piping can also be attached to the base of the panel and the run-off can be directed elsewhere.

Maintenance

Maintain as you would for plants in pots - i.e. they need water and food more often than those in open ground.

The panels should be placed in such a way as to be able to get a few hours of sunlight a day – which most food plants require. An east facing wall (morning sun) tends to be less harsh sunlight.

Follow standard gardening guidelines for plants in pots and garden according your plants' needs: whether they need sun or shade, more or less water etc.

These panels are ideal for food-plant growing, such as herbs and soft stemmed veggies, but can be used for any plants.